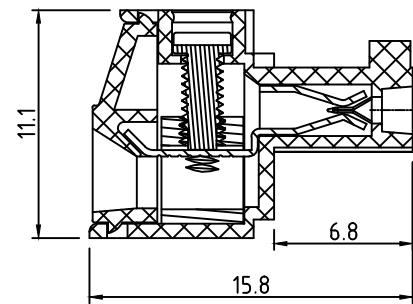


N=Number of contacts



SPECIFICATIONS

- Voltage Rating: 300VAC
- Current Rating: 10 Amps/10.5 Amps
- Dielectric withstanding: 1.6KV/2.5KV
- Operating Temperature: -40°C to +115°C
- Contact Material: PhBz, Tin Plated
- Terminal Screw: Steel Zinc plating "-" slot type
- Insulator Material: Thermoplastic, UL 94V-0
- Wire Range: 1.5mm²
- Wire Strip Length: 6-7mm
- Solid/Stranded Wire: 16-28 AWG
- Torque: 3.0Lb-In/0.2Nm
- Clamp: Brass(CuZn) Ni plated
- Screw: M2
- Flange Screw: Steel M2.5 Zinc plating "+/-" slot type
- Safety Approval:

RPGQ-XX AA X BJ-FG

02
~
24

- J: Black(RAL9005)
- B: Red(RAL3001/D)
- C: Orange(RAL2011/P)
- D: Yellow(RAL1018/A)
- E: Green(RAL6018/T)
- F: Blue(RAL5015/A)
- H: Grey(RAL7035/D)

FG: RoHS Compliant
Pb<40000ppm

Dimensions	
A	N×3.5
B	(N-1)×3.5

Poles	Tolerance
2P-6P	±0.15
7P-12P	±0.20
13P-18P	±0.25
19P-24P	±0.30

GENERAL TOLERANCE UNLESS OTHERWISE SPECIFIED	
XXX. ± X	.XX ± 0.10
XX. ± X	.XXX ± X
X. ± 0.50	X.' ± 1'
.X ± 0.30	.X' ± 1'

REV. A	DRAWN	10/20/09
DATE 10/20/09	CHECKED	
SCALE 3:1	APPROVED	
UNIT mm		SIZE A4



RPGQ Series
3.50 mm Removable Plug w/Flange
PRODUCT NO. RPGQ-XXAAXBJ-FG
FILE NAME RPGQ-XXAAXBJ-FG LF APD.DWG

APTOS Technology CONFIDENTIAL
This document, and all information it contains, are the confidential, proprietary property of APTOS Technology. Disclosure, duplication or distribution of this document, or any information it contains, in whole or part, without prior written permission from APTOS Technology is strictly prohibited